


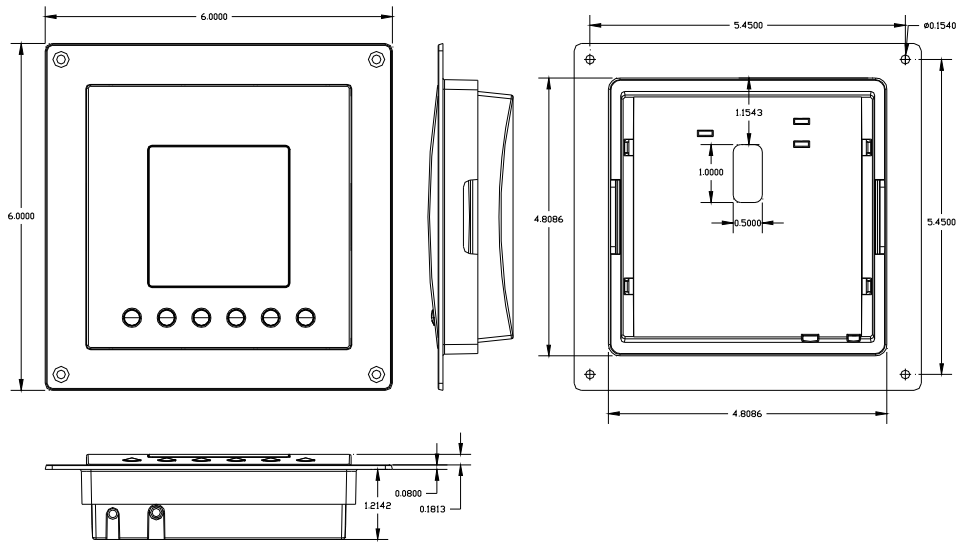
- Read / write support for up to 250 points
- 16 independent schedules
- Astronomical clock
- Integrated Real-Time Clock

<p><b>Applications</b></p> <ul style="list-style-type: none"> <li>- Manage systems without a supervising station</li> <li>- Quick and convenient access when a computer is far or out of reach</li> <li>- Monitor or modify states and set points for any variable in a LONWORKS® network</li> <li>- Supports up to 16 independent schedules</li> <li>- Astronomical clock to calculate the sunset and sunrise of any location on the planet.</li> </ul>	 <p>The easyCONTROLS™ EC-Light Display is a multi-function LCD display equipped with a 3150® Neuron® processor. Unique in our industry, it can display and interface with up to 250 network variables, while most other displays are limited to only 64 variables. Unique in our industry, it can store and manage up to 16 independent schedules.</p> <p>The EC-Light Display can be used with the Distech Controls easyCONTROLS system as a human-to-machine-interface. However, being fully interoperable, it can also operate with any LONWORKS® device, using SNVTs or UNVTs.</p> <p>The EC-Light Display can be configured through any LNS based software such as Distech Controls Lonwatcher. Furthermore, easy-to-use Distech Controls LNS plug-ins are available to configure the features of the EC-Light Display, which allows grouping of up to 5 points (variables) per group, with a maximum of 50 groups. The group and variable names are customizable with up to 13 and 16 characters respectively. There is a dedicated output network variable for each of the schedules supported by the device, which you can bind to any of the other devices on your network.</p> <p>Each schedule includes a template for every day of week, with a capacity of up to six events per day. For added flexibility, there are four special day templates per schedule, for holidays or other exceptional events in your scheduling.</p> <p>Moreover, configure scene function and the number based on time of the day or on relative time based on the sun position. Integrated astronomical clock allows calculating sunset and sunrise time for any geographical location. This allowing accurate control of outdoor lighting for example.</p> <p>The EC-Light Display is the perfect interface for any sized system, where a PC front end is not always required or where a manual interface is desired for a faster and more convenient access.</p> <p>The easyCONTROLS product line is built to meet rigorous quality standards and carries a two-year warranty. The complete line of easyCONTROLS controllers is designed for use with any LNS based and/or any other open and interoperable system – such as EC-Net. This provides both the contractor and the end user with the flexibility of using “best of breed” products in system design.</p>
<p><b>Features</b></p>	
<p><b>Interoperability</b></p> <ul style="list-style-type: none"> <li>- Based on LONWORKS® technology for peer-to-peer communication between controllers</li> </ul> <p><b>Hardware</b></p> <ul style="list-style-type: none"> <li>- Backlit LCD display with a 128 X 128 pixel screen</li> <li>- Changeable logo (wallpaper)</li> <li>- Configurable through an easy-to-use LNS® plug-in</li> <li>- Simple to use 6-button interface for navigation and data entry</li> <li>- Battery backup for clock with 15 year lifespan</li> <li>- Can be mounted on a wall or within a panel</li> <li>- Available in “flush mount” and “Din rail” casings</li> <li>- Built-in input for 1/8” communication jack (3.5mm)</li> </ul> <p><b>Display object</b></p> <ul style="list-style-type: none"> <li>- Supports imperial or metric units</li> <li>- Read / write support for up to 250 points (SNVT, UNVT, Free Programmable points)</li> <li>- Regroup displayed points into a maximum of 50 groups</li> <li>- Acts as a node and can be plugged-in anywhere on a LONWORKS network</li> <li>- Supports enumeration text format (0/1 point status display ON/OFF or XXX/YYYY)</li> <li>- Assign passwords to users (full access or view only)</li> <li>- Auto log-off feature</li> </ul> <p><b>16 Scheduler objects</b></p> <ul style="list-style-type: none"> <li>- Schedules are configured through LNS plug-in. Each object contains one schedule</li> <li>- All schedules are stored in on-board Flash memory</li> <li>- Astronomical clock that allows calculation of sun position based on geographical location</li> <li>- Schedule network variables are of the SNVT_scene type and allowing the configuration of scene events based on time of the day or on time respective to sunset/sunrise.</li> <li>- Seven day templates per scheduler</li> <li>- Six configurable events per day, per schedule</li> <li>- Four holiday templates per schedule</li> </ul>	
<p><b>Real-time clock object</b></p> <ul style="list-style-type: none"> <li>- Allows configuration of daylight saving time</li> <li>- Accurate timekeeping for controller applications</li> </ul>	

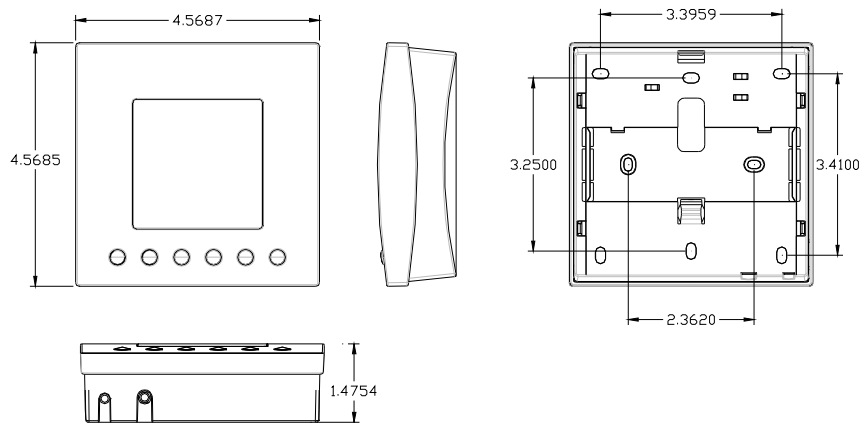
# Product Specifications

The EC-Light Display is offered in two different casing; flush mount and surface mount.

## Flush Mount Casing (FM model)



## Surface Mount Casing (SM model)

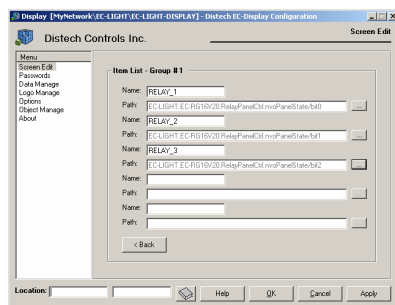


# Product Specifications

Power		LCD Display	
Voltage	24VAC/DC; ±15%, 50/60HZ, Class 2	Type	Backlit
Protection	500 mA auto-reset fuse	Definition	128 x 128 pixels
Consumption	8 VA	Display Area	2.1" x 2.1" (550 x 550mm)
		Screen Saver	Customizable
Environmental		Agency Approvals	
Operating Temperature	0°C to 70°C, 32°F to 158°F	FCC	FCC part 15, subpart B, class B
Storage Temperature	-20°C to 70°C, -4°F to 158°F	CE	EN55022: 1998 class B EN61000-4-2: 1995 level3 in air, level 2 by contact EN61000-4-3: 1996, level 2
Relative Humidity	0 to 90% Non-condensing	UL listed	EN50204: 1995, level 2 EN61000-4-4: 1995, level 2 EN61000-4-6: 1996, level 2 Listed 6EA7 Energy management equipment This device complies with FCC rules part 15, subpart B, class B
General			
Processor	Neuron® 3150®; 8 bits; 10MHZ		
Memory	Non-volatile Flash 64K (APB application) Non-volatile Flash 64K (storage)		
Communication	LonTalk® protocol		
Transceiver	TP/FT-10; 78 Kbps		
Status Indicator	Green LEDs on outputs		
Communication jack input	1/8" (3.5mm)		
Enclosure			
Material	ABS Resin		
Color	Off white		
Dimension (FMT)	6" x 6" x 1.48" (151 x 151 x 38mm)		
Dimension (SMT)	4.57" x 4.57" x 1.48" (116 x 116 x 38mm)		
Shipping Weight (FMT)	0.88 lbs (0.40 kg)		

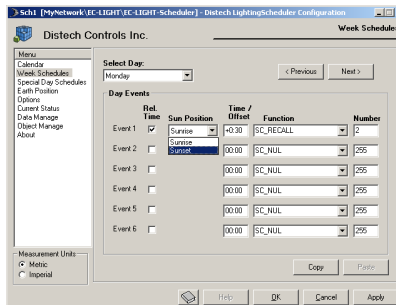
## Software Preview

### Configuration Plug-in



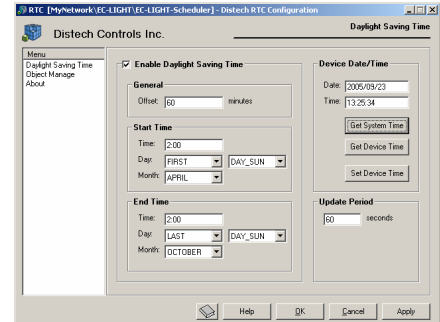
Easily configure all network variables and labels that will be displayed on the EC-Display. This plug-in allows you to select the logo that will appear on the display and also helps you manage user names and passwords to restrict the access to your building information.

### Scheduler Plug-in



This plug-in allows you to easily configure a weekly-based schedule and a special day schedule for holidays. Add and remove the special day event into the calendar through a simple click. Call any function or scene number using the SNVT\_scene. Specify the geographical location for sunset and sunrise calculation.

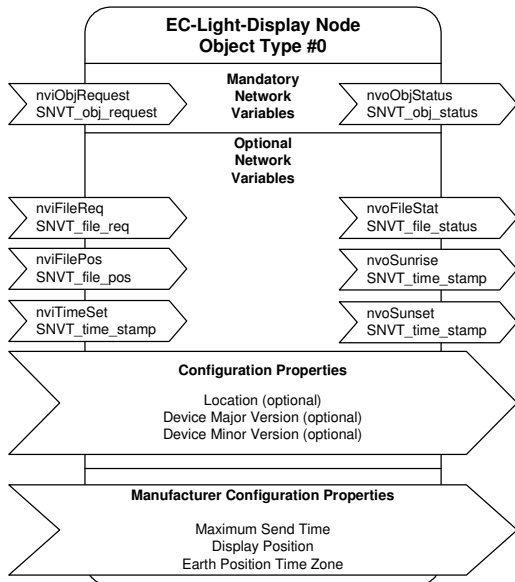
### Real-time Clock Plug-in



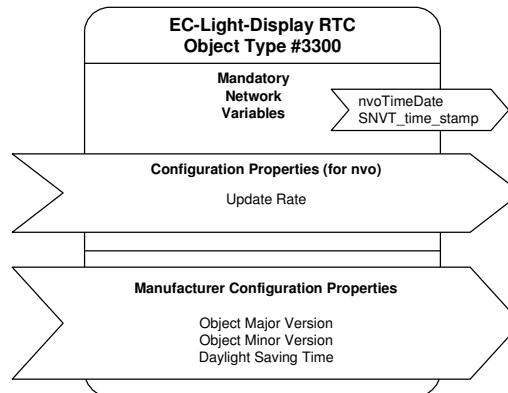
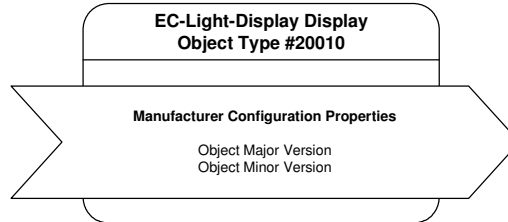
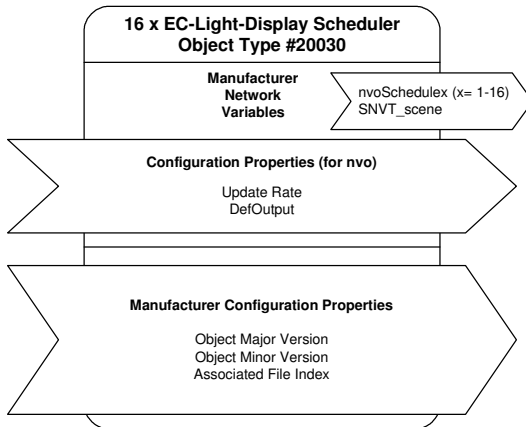
Manage real-time clock and daylight saving time, for use with any device on the network.

Plug-ins can be used with any LNS based network management and GUI tools, such as Distech Controls' Lonwatcher or Londisplay.

# LONMARK® Objects & Network Variables



16 Schedules



Specifications subject to change without notice. easyCONTROLS and Distech Controls logos are trademarks of Distech Controls, Inc.; LONWORKS, LONMARK, LonTalk, LNS and LON are registered trademarks of Echelon Corporation.



05DI-DSLTDIS-10

**EC-Light Display**

**Distech Controls, Inc**  
 Tel. Toll-free North America: 1-800-404-0043  
 Tel. International: 1-450-444-9898  
<http://www.distech-controls.com>  
[sales@distech-controls.com](mailto:sales@distech-controls.com)