
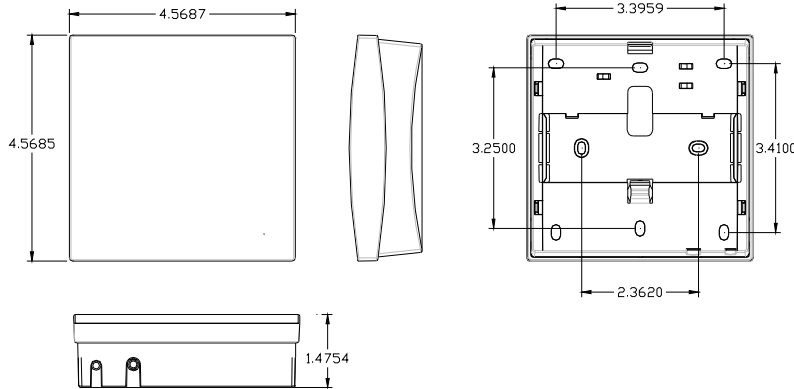


- 16 independent schedules
- Astronomical clock
- Integrated Real-Time Clock

<p><b>Applications</b></p> <ul style="list-style-type: none"> <li>- Interface easily with Lighting Control systems such as EC-Light Panel or devices that do not support on-board scheduling</li> <li>- Centralized scheduling for an entire system</li> <li>- Supports up to 16 independent schedules</li> <li>- Astronomical clock to calculate the sunset and sunrise of any location on the planet.</li> </ul>	 <p>The easyCONTROLS™ EC-Light Scheduler is a device dedicated to storing and managing the scheduled events you need for your Lightning Control System. Equipped with a 3150® Neuron® processor, the device is based on the LONWORKS® open network system. Unique in our industry, it can store and manage up to sixteen independent schedules.</p> <p>The EC-Light Scheduler can be configured through any LNS based software such as Distech Controls Lonwatcher. An easy-to-use Distech Controls LNS plug-in is available to configure the features of the EC-Light Scheduler. Furthermore, there is a dedicated output network variable for each of the schedules supported by the device, which you can bind to any of the other devices on your network.</p> <p>Each schedule includes a template for every day of week, with a capacity of up to six events per day. For added flexibility, there are four special day templates per schedule, for holidays or other exceptional events in your scheduling.</p> <p>Moreover, configure scene function and the number based on time of the day or on relative time based on the sun position. Integrated astronomical clock allows calculating sunset and sunrise time for any geographical location. This allowing accurate control of outdoor lighting for example.</p> <p>The easyCONTROLS product line is built to meet rigorous quality standards and carries a two-year warranty. The complete line of easyCONTROLS controllers is designed for use with any LNS based and/or any other open and interoperable system – such as EC-Net. This provides both the contractor and the end user with the flexibility of using “best of breed” products in system design.</p>
<p><b>Features</b></p> <p><b>Interoperability</b></p> <ul style="list-style-type: none"> <li>- Based on LONWORKS® technology for peer-to-peer communication between controllers</li> </ul> <p><b>Hardware</b></p> <ul style="list-style-type: none"> <li>- Neuron® 3150® processor</li> <li>- Real-time clock with battery backup (15 year lifespan)</li> <li>- Can be mounted on a wall, on a Din rail or within an EC-Light Panel</li> <li>- Built-in input for 1/8” communication jack (3.5mm)</li> </ul>	
<p><b>16 Scheduler objects</b></p> <ul style="list-style-type: none"> <li>- Schedules are configured through LNS plug-in. Each object contains one schedule</li> <li>- All schedules are stored in on-board Flash memory</li> <li>- Astronomical clock that allows calculation of sun position based on geographical location</li> <li>- Schedule network variables are of the SNVT_scene type and allowing the configuration of scene events based on time of the day or on time respective to sunset/sunrise.</li> <li>- Seven day templates per scheduler</li> <li>- Six configurable events per day, per schedule</li> <li>- Four holiday templates per schedule</li> <li>- Schedules can be edited locally on device</li> </ul> <p><b>Real-time clock object</b></p> <ul style="list-style-type: none"> <li>- Allows configuration of daylight saving time</li> <li>- Accurate timekeeping for controller applications</li> </ul>	

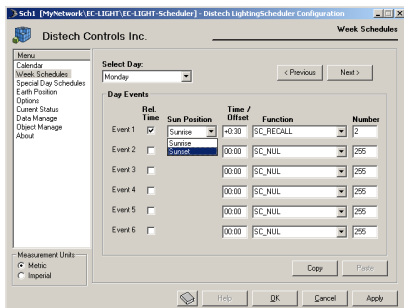
# Product Specifications



<b>Power</b>		<b>Environmental</b>	
Voltage	24VAC/DC; ±15%, 50/60HZ, Class 2	Operating Temp.	0°C to 70°C, 32°F to 158°F
Protection	500 mA auto-reset fuse	Storage Temp.	-20°C to 70°C, -4°F to 158°F
Consumption	8 VA	Relative Humidity	0 to 90% Non-condensing
<b>General</b>		<b>Agency Approvals</b>	
Processor	Neuron® 3150®; 8 bits; 10MHZ	FCC	FCC part 15, subpart B, class B
Memory	Non-volatile Flash 64K (APB application)	CE	EN55022: 1998 class B
Communication	Non-volatile Flash 64K (storage)		EN61000-4-2: 1995 level3 in air, level 2 by contact
Transceiver	LonTalk® protocol		EN61000-4-3: 1996, level 2
	TP/FT-10; 78 Kbps		EN50204: 1995, level 2
			EN61000-4-4: 1995, level 2
<b>Enclosure</b>		UL listed	Listed 6EA7
Material	ABS Resin		Energy management equipment
Color	Off white		
Dimension	4.5" x 4.57" x 1.5" (114 x 116 x 38 mm)		
Shipping Weight	0.49 lbs (0.22 kg)		
Status Indicator	Green LEDs on outputs		

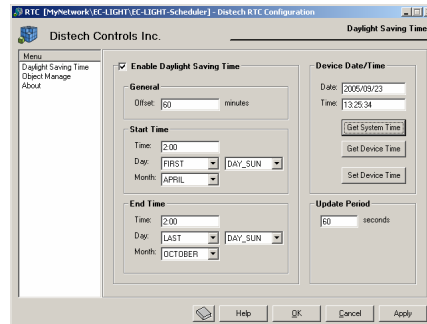
## Software Preview

### Scheduler Plug-in



This plug-in allows you to easily configure a weekly-based schedule and a special day schedule for holidays. Add and remove the special day event into the calendar through a simple click. Call any function or scene number using the SNVT\_scene. Specify the geographical location for sunset and sunrise calculation.

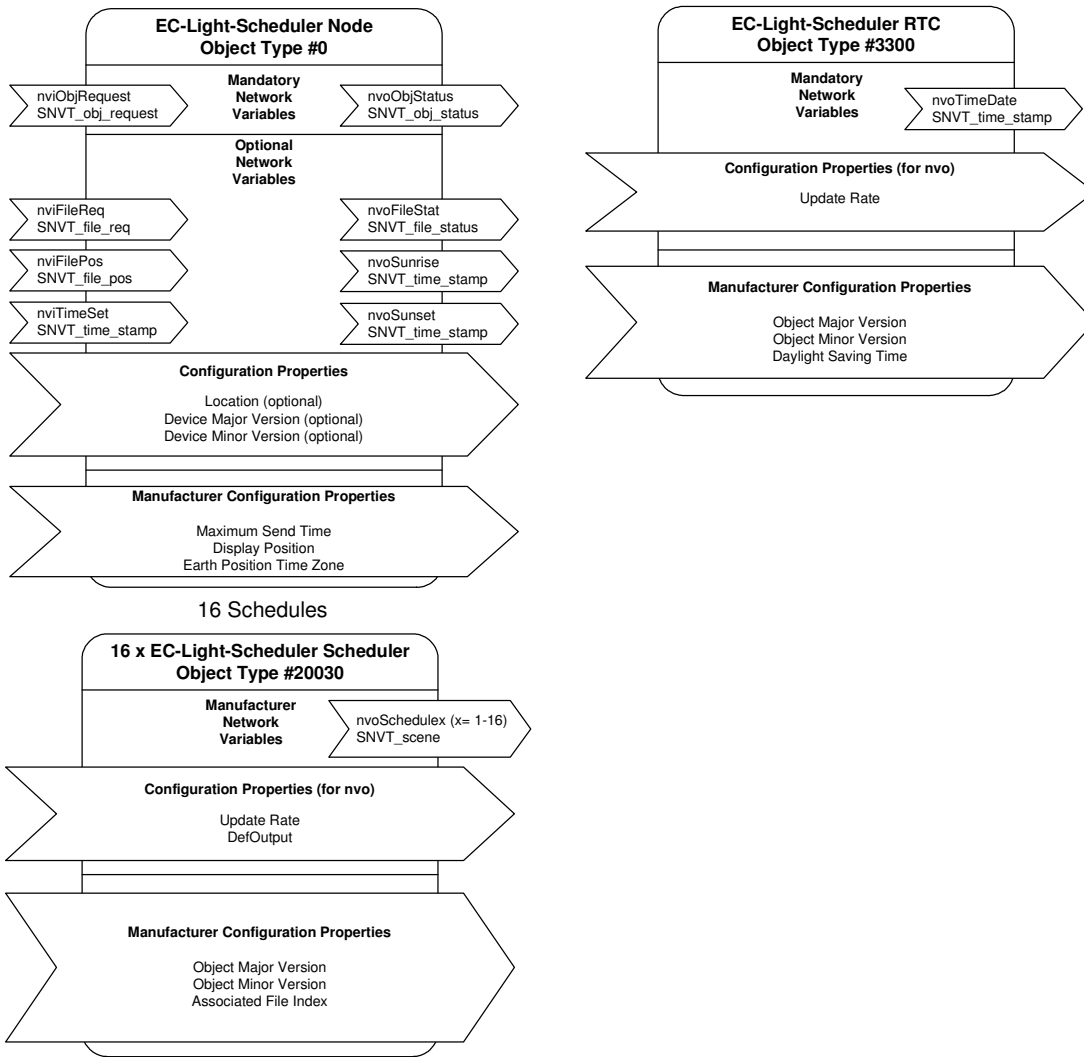
### Real-time Clock Plug-in



Manage real-time clock and daylight saving time, for use with any device on the network.

Plug-ins can be used with any LNS based network management and GUI tools, such as Distech Controls' Lonwatcher or Londisplay.

# LONMARK® Objects & Network Variables



Specifications subject to change without notice. easyCONTROLS, Distech Controls logos are trademarks of Distech Controls, Inc.; LONWORKS, LONMARK, LonTalk, LNS and LON are registered trademarks of Echelon Corporation.



05DI-DSLTSHC-10

## EC-Light Scheduler

**Distech Controls, Inc**  
 Tel. Toll-free North America: 1-800-404-0043  
 Tel. International: 1-450-444-9898  
<http://www.distech-controls.com>  
[sales@distech-controls.com](mailto:sales@distech-controls.com)